

0 100 200 m

© Samhällsbyggnadskontoret, 2024



LUNA2000 - 200/161/129KWH-2H1

LUNA2000 - 97KWH-1H1

Smart String ESS



More Energy



Simple O&M



Safe & Reliable

Energy Storage System Parameters

Model Type	LUNA2000-200KWH-2H1	LUNA2000-161KWH-2H1	LUNA2000-129KWH-2H1	LUNA2000 - 97KWH-1H1
Battery Configuration	12S1P	10S1P	8S1P	6S1P
Maximum battery capacity of the energy storage system	193.5kWh	161.3kWh	129.0kWh	96.8kWh
Max. Charging Power	≤100 kW			
Max. Discharging Power	≤100 kW	≤100 kW	≤100 kW	≤92 kW
Dimensions (W x H x D)	1810mm×2135mm×1200mm			
Dimensions (W x H x D), including Smart Rack Controller and Smart PCS	2570mm x 2135mm x 1200mm			
Weight (including the battery pack)	≤2950kg	≤2690kg	≤2430kg	≤2170kg
Weight (without the battery pack)	≤1070kg	≤1070kg	≤1090kg	≤1130kg
Operating temperature range	-30 °C ~ 55 °C			
Storage temperature range	-40 °C ~ 60 °C			
Operating humidity range	0 ~ 100% (non-condensing)			
Maximum operating altitude	4,000 m			
Installation Environment Requirement	Outdoor installation			
Battery temperature control mode	Industrial-grade air conditioner			
Fire suppression of energy storage system	YES			
Auxiliary Power Supply	220Vac, ≤4.2kW			
Communication port	Ethernet / SFP			
Communication protocol	Modbus TCP			
Protection degree	IP55			
EMC Protection Rating	ClassA			
DC Lightning Protection	Type II			
Standards				
Environment	RoHS			
Certification Standards	GB/T 36276-2018; GB/T 33582; UL9540A; UN38.3; ISO 9227:2017; IEC 60529; IEC/EN 62477-1 IEC/EN 62040-1; IEC/EN 61000-6-2; IEC/EN 61000-6-4; EN 55011;			

Battery Pack & Smart Rack Controller

Smart String ESS



Battery Pack		
General		
Model Type	LUNA2000-200KWH-2H1	LUNA2000 - 161/129KWH-2H1 LUNA2000 - 97KWH-1H1
Cell Material	LFP	
Nominal Capacity	16.13 kWh	
Supported Charge & Discharge Rate	≤0.5C	≤1C
Weight	≤ 140 kg	
Dimensions (W x H x D)	442 x 308 x 660 mm	



Smart Rack Controller	
Efficiency	
Max. Efficiency	≥ 98.5%
Battery Side	
Rated Voltage	691.2 V
Operating Voltage Range	40 V ~ 1,050 V
Min. Start Voltage	350 V
Bus Side	
Max. DC Voltage	1,100 V
Rated Voltage	665 V
Rated Current	76.3 A
General	
Dimensions (W x H x D)	600 x 820 x 270 mm
Weight	≤ 90 kg
Cooling Method	Smart Air Cooling
Protection Degree	IP66

LUNA2000-100KTL-M1 Smart PCS



Surge Arresters for
DC & AC



Modular Design



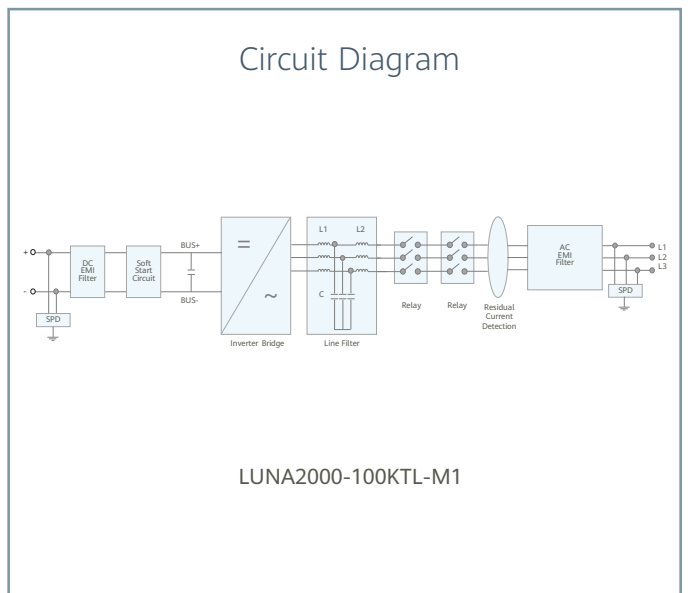
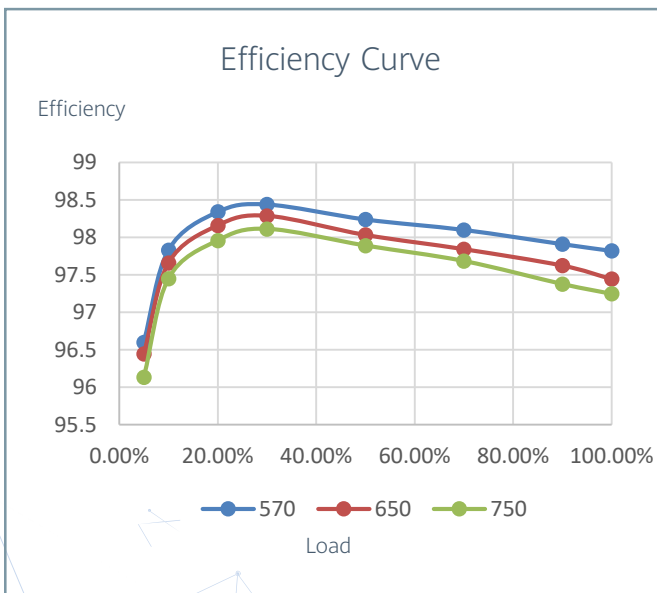
IP66 Protection



Ethernet
Communication



Smart Grid
Algorithm



LUNA2000-100KTL-M1

Technical Specifications



Efficiency	
Max. Efficiency	98.4%
DC Side	
Rated DC Voltage	645 V
Max. DC Voltage	1,100 V
Operating DC Voltage Range	570 V ~ 1100 V
Max. DC Current	215.8 A
Max. Number of Inputs	1
AC Side	
Rated AC Active Power	100k W @40°C
Rated AC Voltage	380 Vac / 400 Vac / 440 Vac
Rated AC Grid Frequency	50 Hz / 60 Hz
Max. AC Current	139.8 A (LUNA2000 - 97KWH-1H1) / 173.2 A (LUNA2000 - 129/161KWH-2H1)
Adjustable Power Factor Range	-1 ... +1
Max. Total Harmonic Distortion	< 3%
Protection	
Anti-islanding Protection	Yes
AC Overcurrent Protection	Yes
DC Reverse-polarity Protection	Yes
Insulation Resistance Detection	Yes
Residual Current Protection	Yes
DC Surge Protection	Type II
AC Surge Protection	Type II
Communication	
Display	LED Indicators, WLAN + APP
Networking Mode	Ethernet, CAN
General	
Dimensions (W x H x D)	875 x 820 x 365 mm
Weight	< 95 kg
Operating Temperature Range	-25°C ~ 60°C (Derating above 40°C)
Cooling Method	Smart Air Cooling
Max. Operating Altitude without Derating	4,000 m
Relative Humidity	0 ~ 100%
DC Connector	OT/DT Terminal
AC Connector	OT/DT Terminal
Protection Degree	IP66
Topology	Transformerless

Typical System Configurations

Energy Volume kWh (Up to 3,870 kWh)	Recommended Combination of Models				
967.5					12 * 5p
935.3					12 * 4p + 10
903.0					12 * 4p + 8
870.8					12 * 4p + 6
838.5					12 * 3p + 8 * 2p
806.3					12 * 3p + 8 + 6
774.0				12 * 4p	
741.8				12 * 3p + 10	
709.5				12 * 3p + 8	
677.3				12 * 3p + 6	
645.0				12 * 2p + 8 * 2p	
612.8				12 * 2p + 8 + 6	
580.5			12 * 3p		
548.3			12 * 2p + 10		
516.0			12 * 2p + 8		
483.8			12 * 2p + 6		
451.5			12 + 8 * 2p		
419.3			8 * 3p		
387.0		12 * 2p			
354.8		12 + 10			
322.5		12 + 8			
290.3		12 + 6			
258.0		8 * 2p			
225.8		8 + 6			
193.5	12				
161.3	10				
129.0	8				
96.8	6				
Power (Up to 2000kW)	100 kW	200 kW	300 kW	400 kW	500 kW
Smart String ESS (Up to 20x)	1x	2x	3x	4x	5x

Note

1. The four capacity models can be used together. A maximum of 20 ESSs can be connected in parallel. This table only demonstrates the scenario where 5 or less ESSs are connected in parallel.
2. When different capacity models are connected in parallel, each ESS is charged and discharged according to its respective actual C rate.
3. 6, 8, 10 and 12 refer to the number of battery packs contained in different models, that is, LUNA2000-97KWH-1H1, LUNA2000-129KWH-2H1, LUAN2000-161KWH-2H1, LUNA2000-200KWH-2H1.
4. LUNA2000-161/129KWH-2H1, LUNA2000-97KWH-1H1 are not launched in Chinese Mainland and Japan.